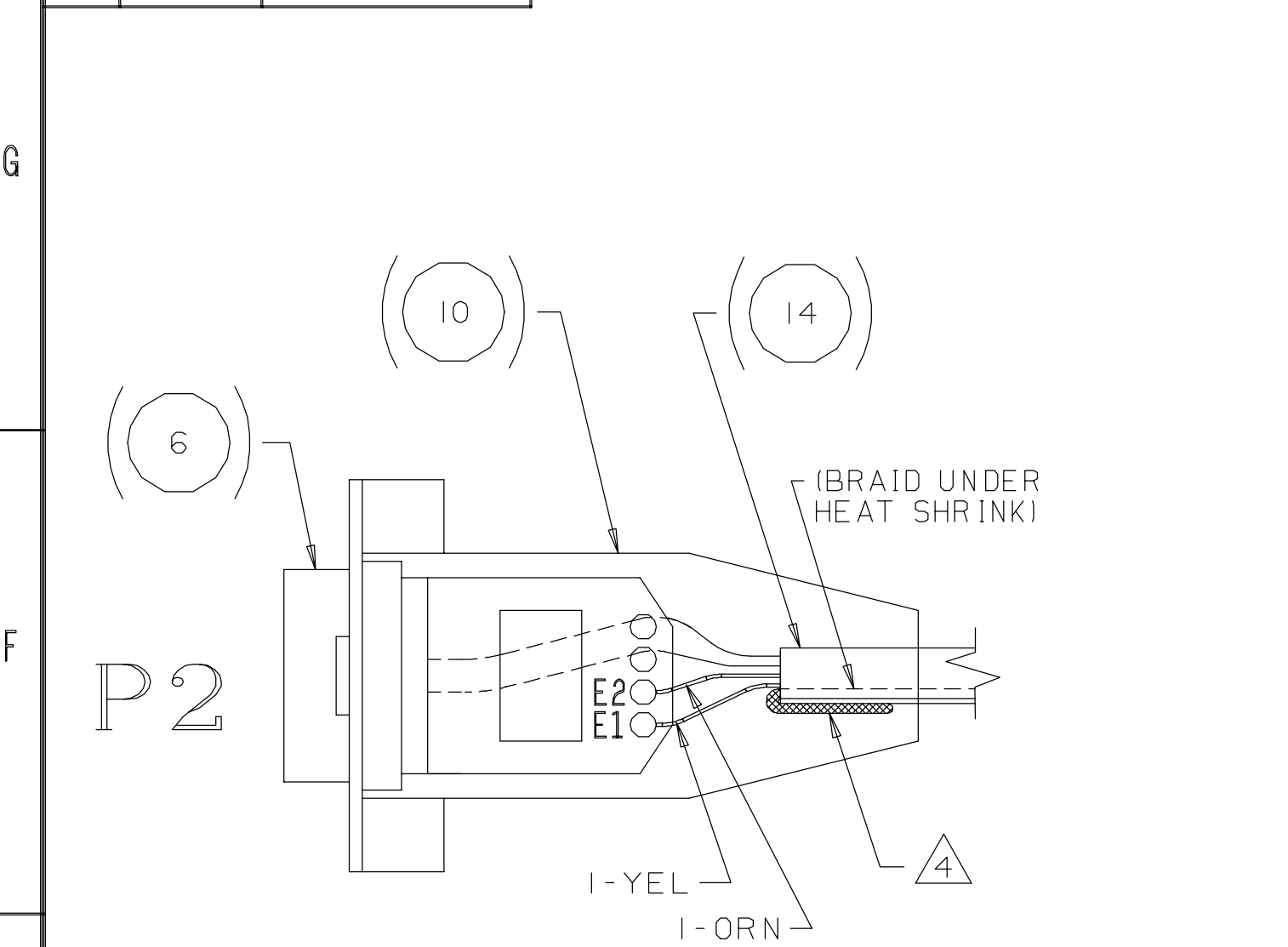
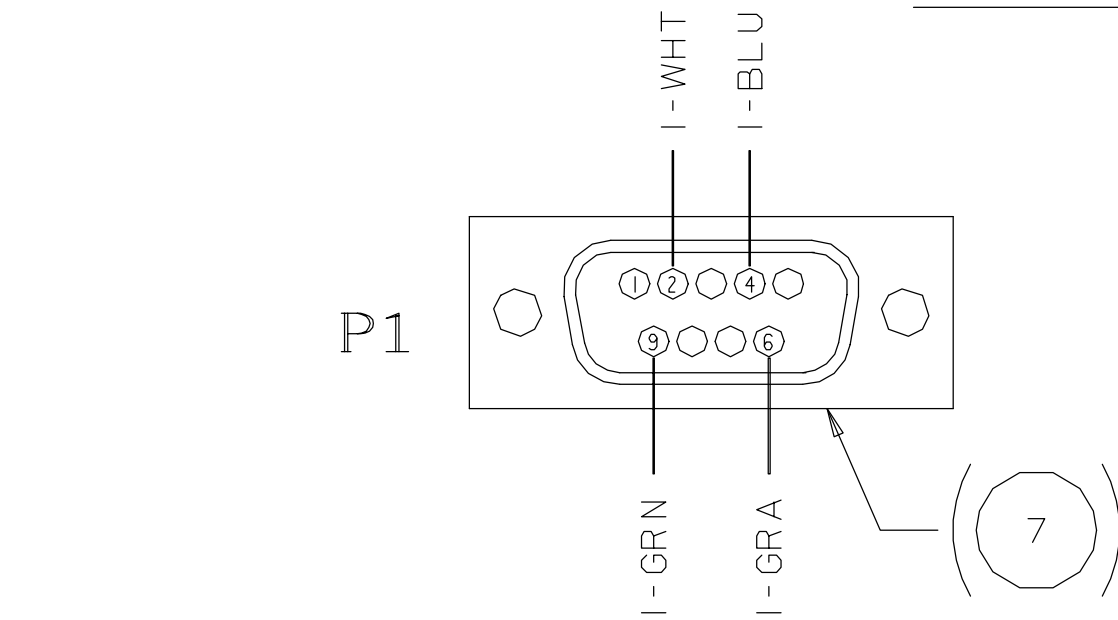
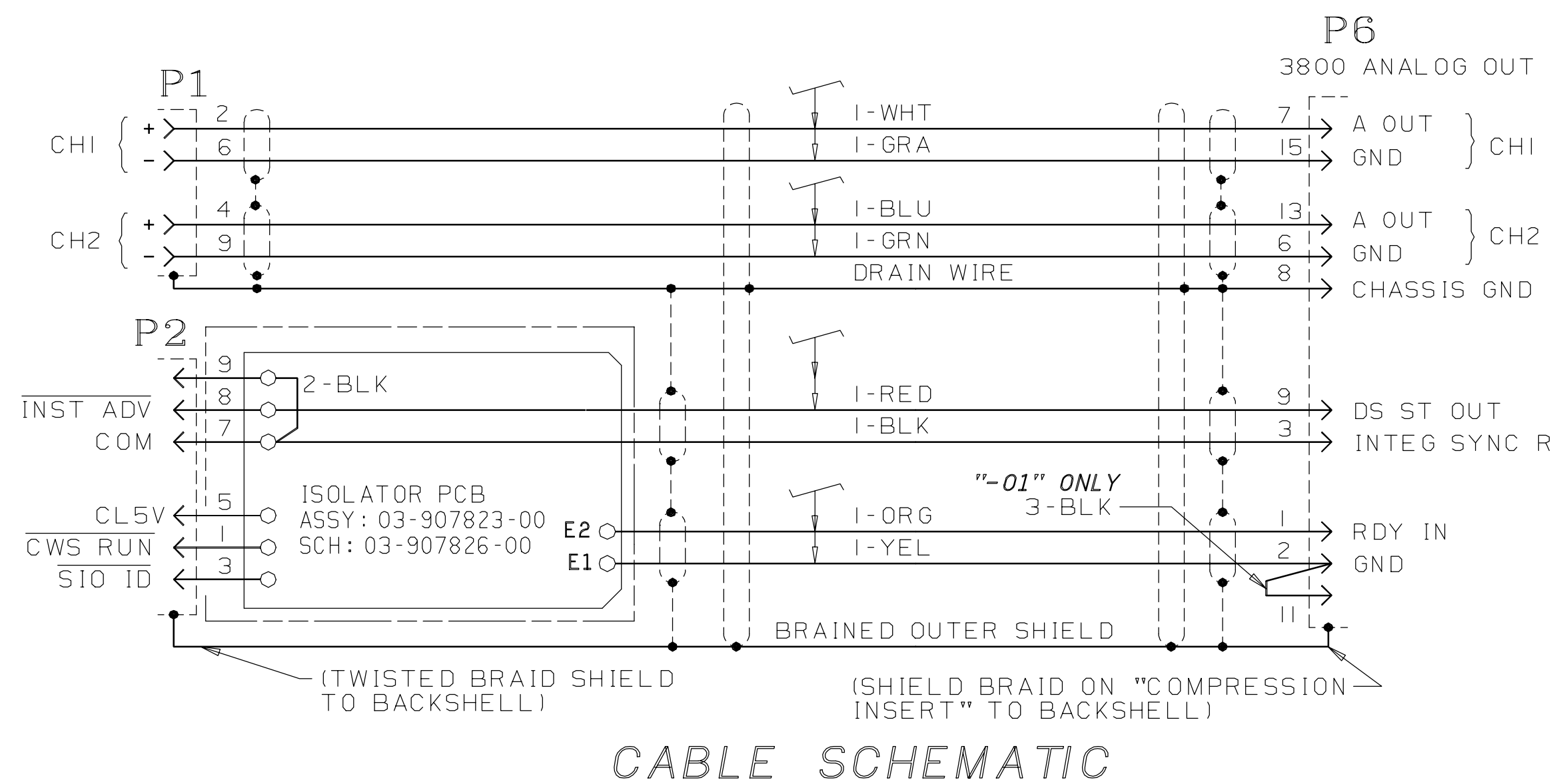


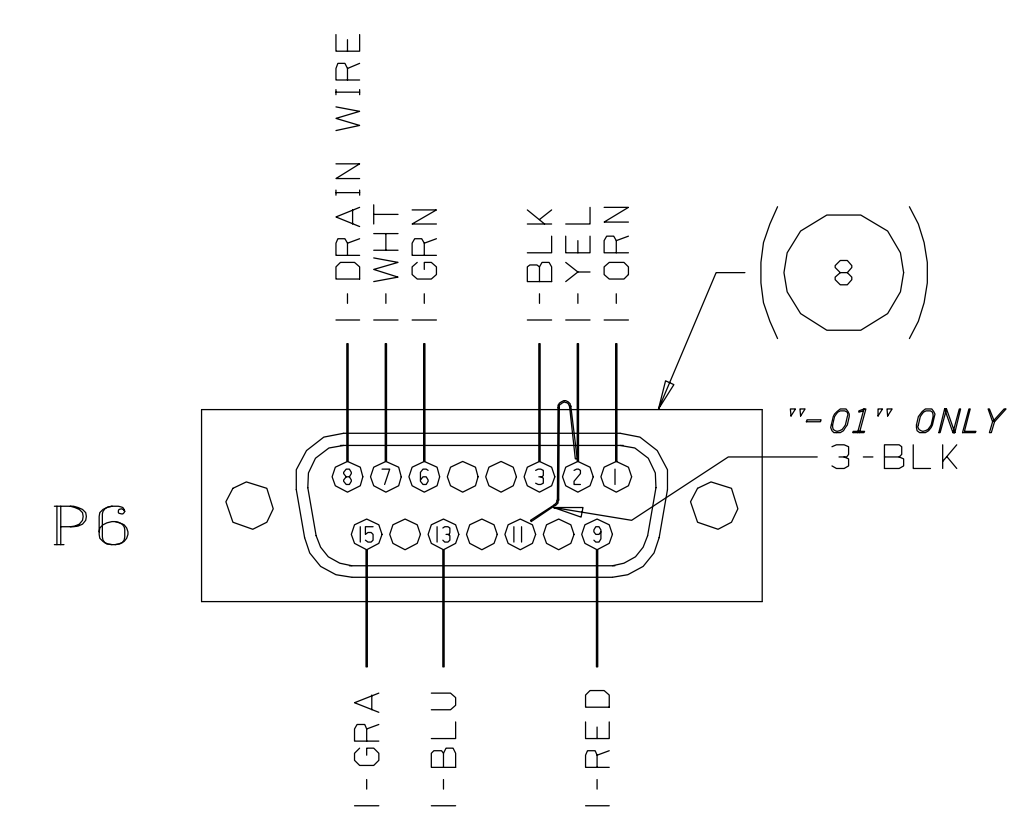
DASH NO	TYPE OR MODEL	NEXT ASSEMBLY
3800		



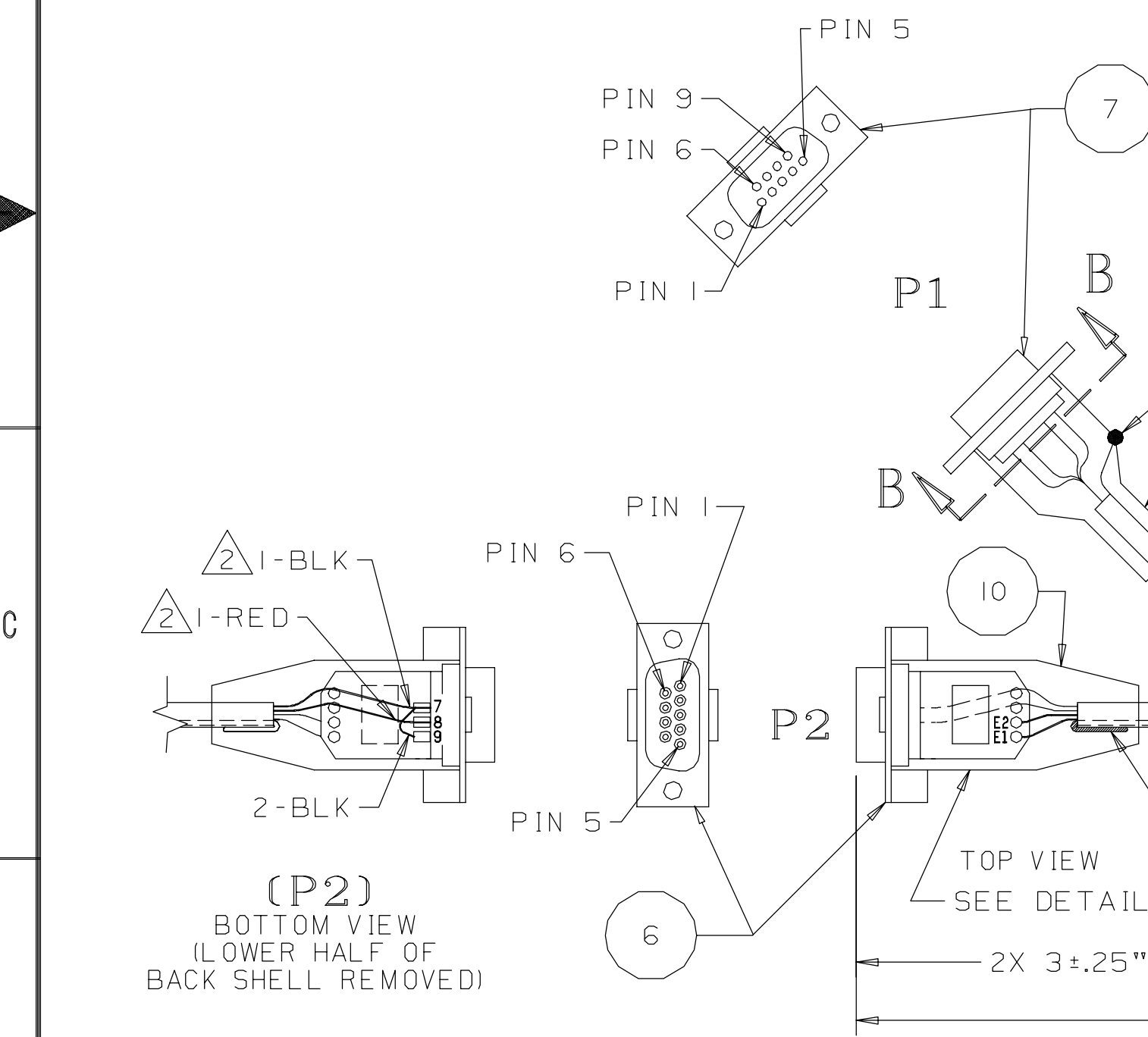
TOP VIEW
SCALE: 2/1
(UPPER HALF OF
BACK SHELL REMOVED)
DETAIL A



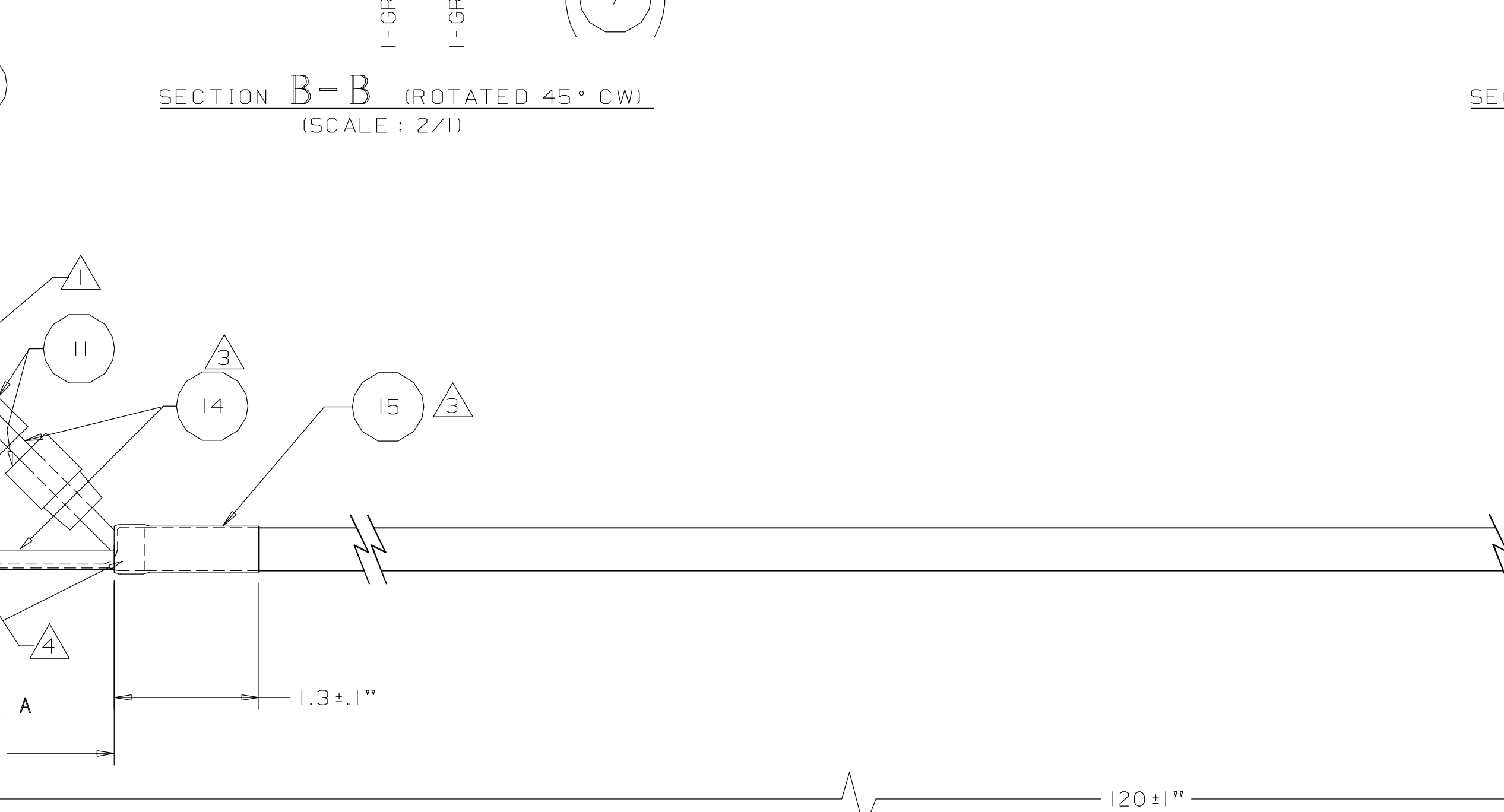
SECTION B-B (ROTATED 45° CW)
(SCALE: 2/1)



SECTION A-A (ROTATED 135° CCW)
(SCALE: 2/1)

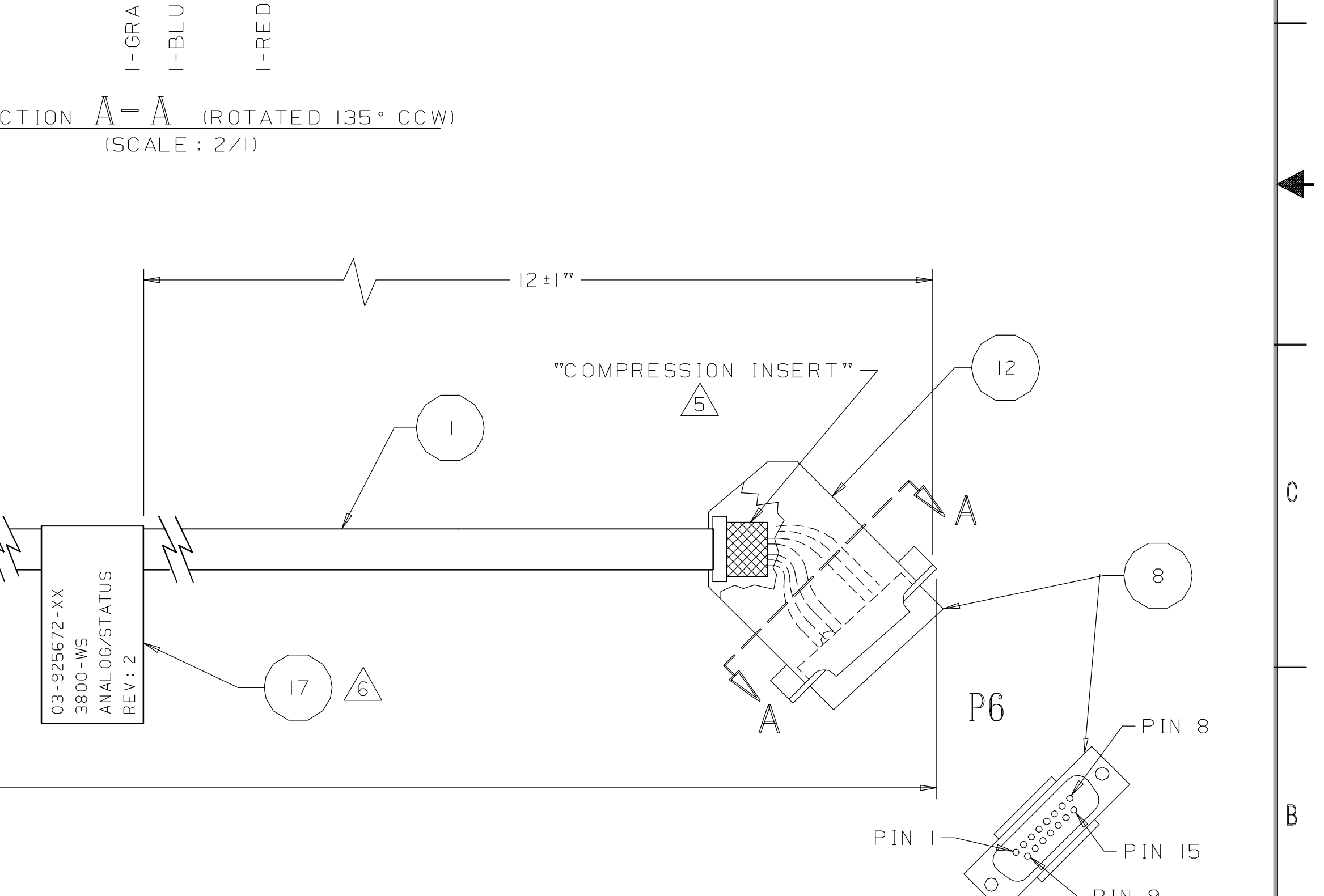


- NOTES:**
- 4 REMOVE 3" OF OUTER CABLE JACKET, ITEM 1, AS SHOWN, ROLL SHIELD BRAID BACK AND TWIST BRAID TO APPROX $\phi 1/16 \times 3"$ LONG. THEN REMOVE FOIL SHIELDS (4X) EVEN WITH END OF OUTER JACKET. PUT TWISTED BRAID THRU SHRINK TUBING, ITEM 14 WITH OTHER WIRE PAIRS (TO P2) FOLD BACK OVER SHRINK TUBING END TO MAKE CONTACT WITH BACK SHELL (STRAIN RELIEF) ITEM 10 AS SHOWN.
 - 3 COVER EACH OF THE SHIELDED PAIRS FROM UNDER CONN BACKSHELLS TO END OF CUT BACK OUTER CABLE JACKET, WITH SHRINK TUBING ITEM 14. THEN COVER THIS JUNCTION WITH SHRINK TUBING, ITEM 15.
 - 2 SOLDER THIS TWISTED PAIR DIRECTLY TO CONN (P2) ITEM 6.
 - 1 SOLDER DRAIN WIRE TO TAB ON METAL BACK SHELL.



STR LG	TERM NO.	FROM	TO	TERM NO.	STR LG	UNIT	REQ	REQ	PART NUMBER	DESCRIPTION OR MATERIAL	ITEM
									81-815099-00	W/CABLE, SHIELDED W/DRAIN WIRE, W/4 INDIVIDUALLY SHIELDED PAIR	1
3/16"		P1-2	P6-7		3/16"					WIRE, WHT, 28 AWG	
3/16"		P1-6	P6-15		3/16"					WIRE, GRA, 28 AWG	
3/16"		P1-4	P6-13		3/16"					WIRE, BLU, 28 AWG	
3/16"		P1-9	P6-6		3/16"					WIRE, GRN, 28 AWG	
		P1	P6-8							WIRE, DRAIN	
3/16"		P2-8	P6-9		3/16"					WIRE, RED, 24 AWG	
3/16"		P2-7	P6-3		3/16"					WIRE, BLK, 24 AWG	
3/16"		PCB-E2	P6-1		3/16"					WIRE, ORN, 28 AWG	
3/16"		PCB-E1	P6-2		3/16"					WIRE, YEL, 28 AWG	
		P2	P6							SHLD, BRAID	
3/16"		P2-7	P2-9		3/16"	IN	1.5	1.5	81-294253-00	WIRE, BLK, 24 AWG, TYPE B	2
3/16"		P6-2	P6-11		3/16"	IN		1.5	81-294253-00	WIRE, BLK, 24 AWG, TYPE B	3
											4
											5
											6
											7
											8
											9
											10
											11
											12
											13
											14
											15
											16
											17
											18

EA	I	I	03-907823-00	ASSY, ISOLATOR PCB (W/CONN)	6
EA	I	I	51-308718-00	CONN, SUB-MIN "D", 9 SDC	7
EA	I	I	51-308714-00	CONN, SUB-MIN "D", 15 PIN	8
					9
EA	I	I	51-340812-00	BACKSHELL, 9 PIN, STRAIGHT (W/HDWR)	10
EA	I	I	51-339997-00	BACKSHELL, 9 PIN, RND CABLE, W/COVER	11
EA	I	I	51-340857-00	BACKSHELL, 15 PIN, RND CABLE, W/COVER	12
					13
A/R	A/R		88-488008-00	TUBING, HEAT SHRINK, $\phi .25"$, POLYOL	14
A/R	A/R		88-488028-00	TUBING, HEAT SHRINK, $\phi .50"$, POLYOL	15
					16
EA	I	I	88-360101-00	LABEL, 15/16" X 3 1/2", WHT	17
					18



-02		WS WITH DUAL A/S CABLE	
-01		WS CABLE	
-00		DRAWING ONLY	
DASH NO.		DESCRIPTION	
DRAWN	DATE	APPROVED	DATE
JCK	29 JAN 97	ROBELLO	4-18-97
CHECKED	DATE	APPROVED	DATE
JS	2-20-97	KLEE	4-18-97
CLASS			
ASSY, CABLE, ANALOG/STATUS, WS ADC			
NOT OTHERWISE SPEC: ANG±			
FIN. ✓ DEC .X ± .XX ± .XXX ±			
I/O	38	I OF I	D
SCALE	DIV	SHEET	SIZE
03-925672-00		21	
DRAWING NO		REV	